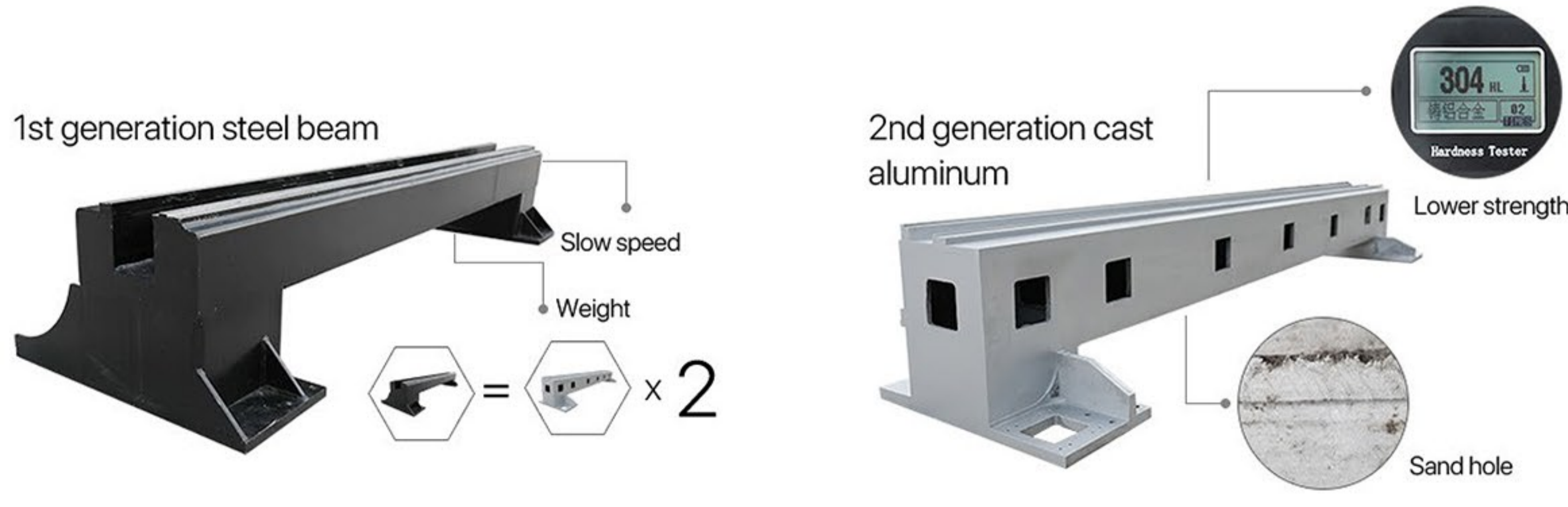


LF3015E

FIBER LASER CUTTING MACHINE



The Third Generation Aviation Aluminum Beam



3rd generation aviation aluminum beam

It is manufactured with aerospace standards and formed by 4300 tons press extrusion molding. After aging treatment, its strength can reach 6061 T6 which is the strongest strength of all beams. Aviation aluminum has many advantages, such as good toughness, light weight, corrosion resistance, anti-oxidation, low density, and greatly increase the processing speed.



Stainless Steel Protection Design

The operating area adopts a 304 stainless steel design to prevent high temperature cutting sparks from damaging the machine's surface.



Without Manual Operation, It Can Focus Automatically



- Without manual focusing**
 The software automatically adjusts the focusing lens to realize automatic perforating and cutting plates of different thickness. The speed of automatically adjusting focus lens is ten times of the manual adjusting.
- Bigger adjustment range**
 Adjustment range -10 mm ~ +10mm, precision 0.01mm, suitable for 0 ~ 20mm different types of plates.
- Long service life**
 Collimator lens and focus lens both have water-cooling heat sink which reduces the temperature of the cutting head to improve the life of the cutting head.

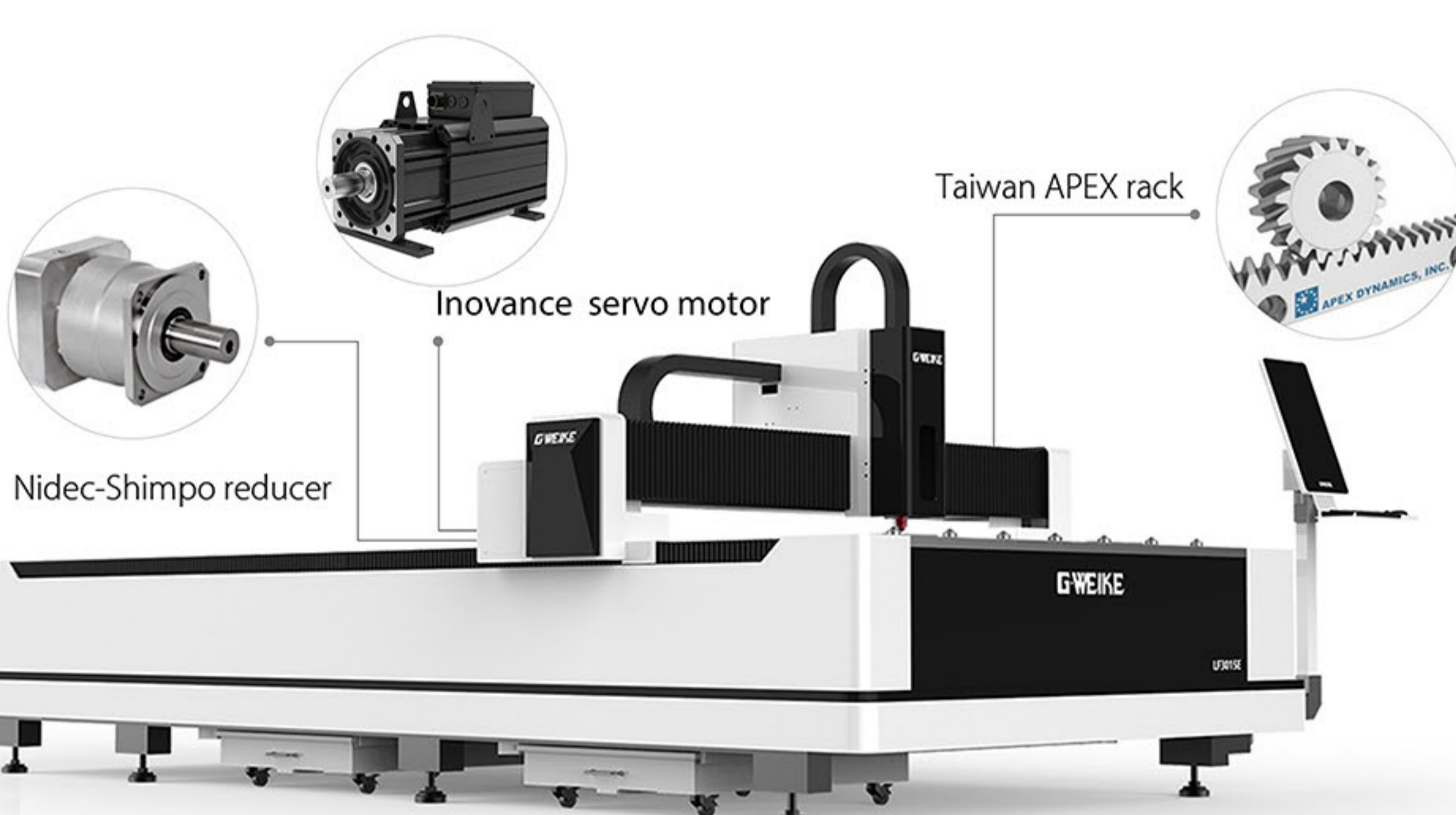


IPAD Designing Screen

Ipac design screen, has a vertical screen display, different from the traditional horizontal screen display with good response speed, higher contrast, wider view, low power consumption as well as high resolution. In addition, it possesses high brightness levels and lower reflectivity as well as solid glass panel sturdiness and durability.

Transmission and Precision

G·WEIKE fiber laser cutting machine is equipped with Inovance servo motor, French Motoreducer and Taiwan YYC rack. The positioning accuracy of the machine tool can be 0.02mm. The working life is more than 10 years.



Technical Parameters

Machine Model	LF3015E
Working Area	3000mm*1500mm
Laser Power	500W 700W 750W 1000W 1500W (Optional)
Dimension	4600*2450*1700mm
Repeated Positioning Accuracy	±0.02mm/m
Max. Running Speed	60m/min
Max. Acceleration	0.8G
Specified Voltage and Frequency	220V/380V 50Hz/60Hz

Industry Applications

LF3015E fiber laser cutting machine is good at processing on common metal items in daily life such as advertising metal letter, kitchenware, environmental protection equipment. Laser cutting machines are widely used in electronics, electrical, mechanical hardware, new energy lithium, packaging, solar, LED, automotive and other industries.



JINAN G·WEIKE SCIENCE & TECHNOLOGY CO.,LTD

In hi Tech square High-Tech Zone, Jinan, Shandong, China

E-mail: wkcutt@163.com

Hotline: 400-061-521

Fax: +86-0531-88912386